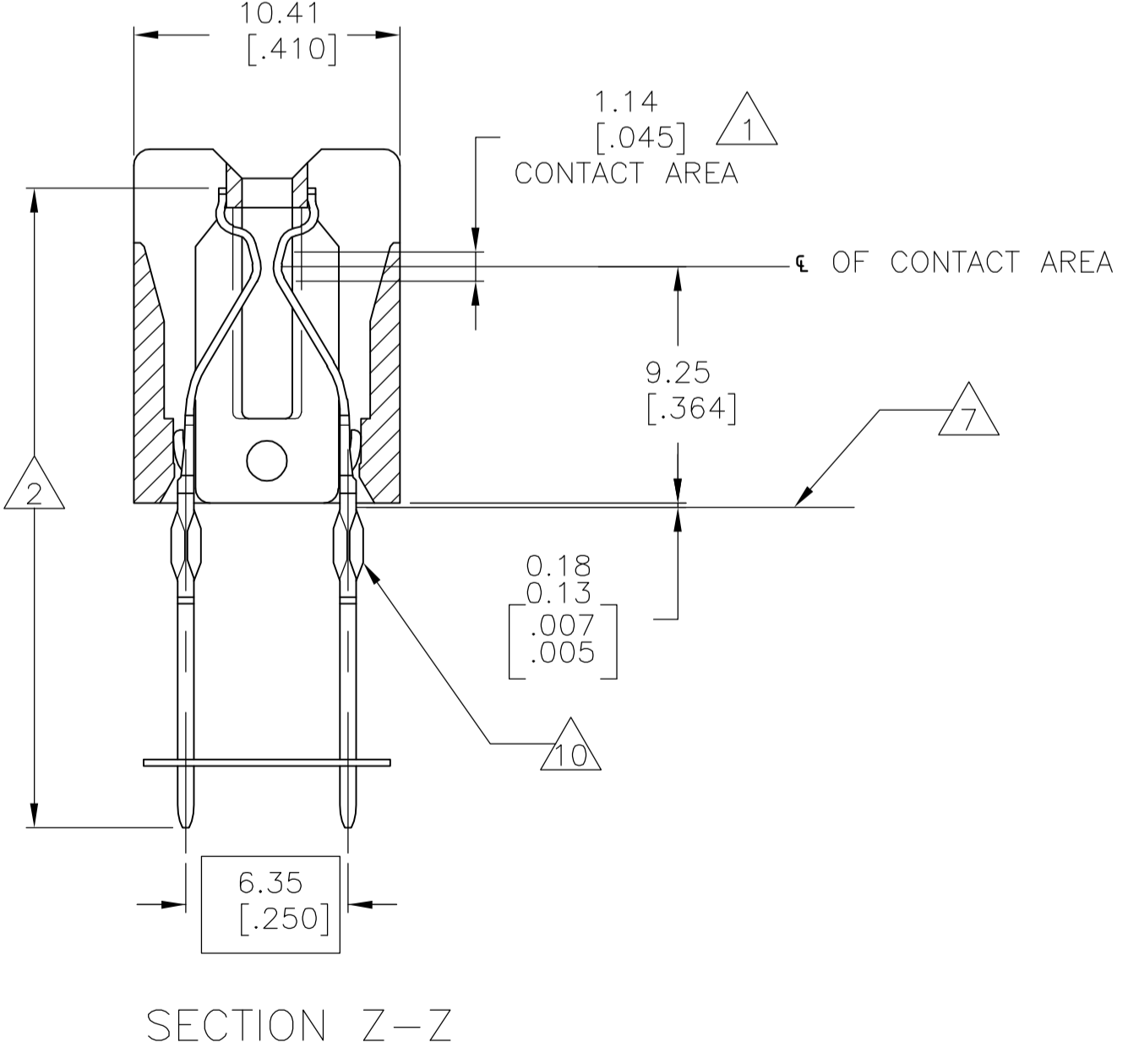
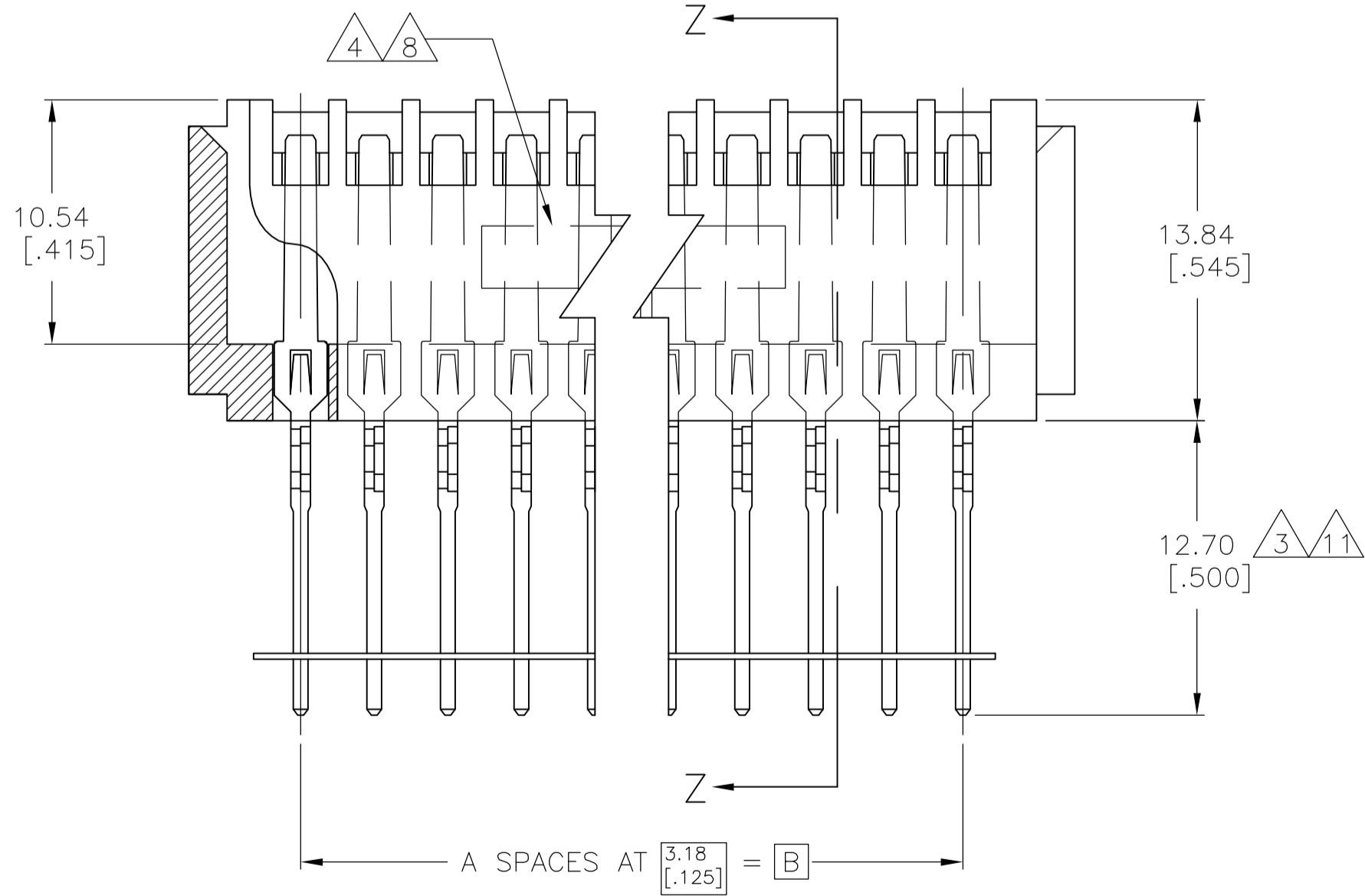
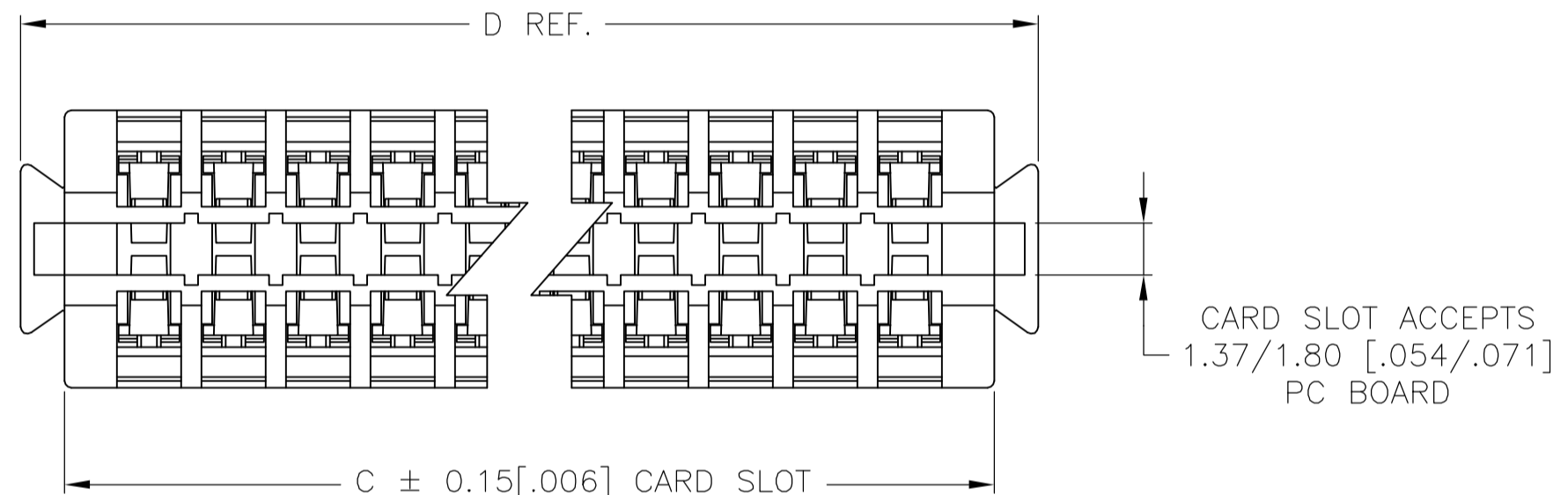


- 1 GOLD PLATE .00076 [.000030] MIN THICK.
- 2 NICKEL PL .00127 [.000050] MIN THK. PER QQ-N-290
- 3 SOLDER PL .00254 [.000100] MIN THK.
- 4 STAMPED P/N & DATE CODE.
- 5 OPTIONAL: KEYING PLUG FOR INTERCONTACT KEYING IS 118982-1.
- 6 OPTIONAL: CARD GUIDE (BASE NO 117169).
- 7 TOP SURFACE OF P.C. BOARD AFTER APPLICATION DUE TO MYLAR THICKNESS.
- 8 ALL PARTS ASSEMBLED IN MEXICO MUST BE STAMPED "ASSY IN MEXICO". THE WORD "MEXICO" CAN BE SUBSTITUTED ONLY WHERE PART SIZE PROHIBITS STAMPING "ASSY IN MEXICO", INK PER 115-9009, APPROX WHERE SHOWN, SIDE OPTIONAL.
- 9 REF. GP 2922 FOR QUALITY CHECK DATA.
- 10 ACTION PIN REQUIRES 2.13 [.084] MIN THK. PC BOARD.

REQ'D DRILL SIZE	HOLE DIA ±.03 [.001]	PLATING THICKNESS		HOLE DIAMETER		COPPER HARDNESS (KNOOP)	PAD DIA MIN
		COPPER	TIN/LEAD	AFTER PLATING	AFTER REFLOW		
1.15mm	1.15 [.0453]	0.03-0.08 [.001-.003]	0.008 MIN. [.0003] MIN.	0.94-1.09 [.037-.043]	0.914-1.09 [.0036-.043]	150 MAX.	1.57 [.062]
1.15mm	1.15 [.0453]	NOT PLATED THRU					1.65 [.065]

11 MATTE TIN PL .00254 [.000100] MIN THK.

168.40 [6.630]	165.10 [6.500]	158.75 [6.250]	50	51	8-119200-7
133.48 [5.255]	130.18 [5.125]	123.83 [4.875]	39	40	7-119200-6
117.60 [4.630]	114.30 [4.500]	107.95 [4.250]	34	35	7-119200-1
95.38 [3.755]	92.08 [3.625]	85.73 [3.375]	27	28	6-119200-4
76.33 [3.005]	73.03 [2.875]	66.68 [2.625]	21	22	5-119200-8
196.98 [7.755]	193.68 [7.625]	187.33 [7.375]	59	60	4-119200-6
193.80 [7.630]	190.50 [7.500]	184.15 [7.250]	58	59	4-119200-5
190.63 [7.505]	187.32 [7.375]	180.98 [7.125]	57	58	4-119200-4
187.45 [7.380]	184.15 [7.250]	177.80 [7.000]	56	57	4-119200-3
184.27 [7.255]	180.97 [7.125]	174.62 [6.875]	55	56	4-119200-2
181.10 [7.130]	177.80 [7.000]	171.45 [6.750]	54	55	4-119200-1
177.93 [7.005]	174.62 [6.875]	168.28 [6.625]	53	54	4-119200-0
174.75 [6.880]	171.45 [6.750]	165.10 [6.500]	52	53	3-119200-9
171.58 [6.755]	168.28 [6.625]	161.92 [6.375]	51	52	3-119200-8
168.40 [6.630]	165.10 [6.500]	158.75 [6.250]	50	51	3-119200-7
165.23 [6.505]	161.93 [6.375]	155.58 [6.125]	49	50	3-119200-6
162.05 [6.380]	158.75 [6.250]	152.40 [6.000]	48	49	3-119200-5
158.88 [6.255]	155.58 [6.125]	149.23 [5.875]	47	48	3-119200-4
155.70 [6.130]	152.40 [6.000]	146.05 [5.750]	46	47	3-119200-3
152.53 [6.005]	149.22 [5.875]	142.88 [5.625]	45	46	3-119200-2
149.35 [5.880]	146.05 [5.750]	139.70 [5.500]	44	45	3-119200-1
146.18 [5.755]	142.88 [5.625]	136.53 [5.375]	43	44	3-119200-0
143.00 [5.630]	139.70 [5.500]	133.35 [5.250]	42	43	2-119200-9
139.83 [5.505]	136.52 [5.375]	130.18 [5.125]	41	42	2-119200-8
136.65 [5.380]	133.35 [5.250]	127.00 [5.000]	40	41	2-119200-7
133.48 [5.255]	130.18 [5.125]	123.83 [4.875]	39	40	2-119200-6
130.30 [5.130]	127.00 [5.000]	120.65 [4.750]	38	39	2-119200-5
127.13 [5.005]	123.82 [4.875]	117.48 [4.625]	37	38	2-119200-4
123.95 [4.880]	120.65 [4.750]	114.30 [4.500]	36	37	2-119200-3
120.78 [4.755]	117.48 [4.625]	111.13 [4.375]	35	36	2-119200-2
117.60 [4.630]	114.30 [4.500]	107.95 [4.250]	34	35	2-119200-1
114.43 [4.505]	111.12 [4.375]	104.78 [4.125]	33	34	2-119200-0
111.25 [4.380]	107.95 [4.250]	101.60 [4.000]	32	33	1-119200-9
108.08 [4.255]	104.78 [4.125]	98.43 [3.875]	31	32	1-119200-8
104.90 [4.130]	101.60 [4.000]	95.25 [3.750]	30	31	1-119200-7
101.73 [4.005]	98.43 [3.875]	92.09 [3.625]	29	30	1-119200-6
98.55 [3.880]	95.25 [3.750]	88.90 [3.500]	28	29	1-119200-5
95.38 [3.755]	92.08 [3.625]	85.73 [3.375]	27	28	1-119200-4
92.20 [3.630]	88.90 [3.500]	82.55 [3.250]	26	27	1-119200-3
89.03 [3.505]	85.72 [3.375]	79.38 [3.125]	25	26	1-119200-2
85.85 [3.380]	82.55 [3.250]	76.20 [3.000]	24	25	1-119200-1
82.68 [3.255]	79.38 [3.125]	73.02 [2.875]	23	24	1-119200-0
79.50 [3.130]	76.20 [3.000]	69.85 [2.750]	22	23	119200-9
76.33 [3.005]	73.03 [2.875]	66.68 [2.625]	21	22	119200-8
73.15 [2.880]	69.85 [2.750]	63.50 [2.500]	20	21	119200-7
69.98 [2.755]	66.68 [2.625]	60.33 [2.375]	19	20	119200-6
66.80 [2.630]	63.50 [2.500]	57.15 [2.250]	18	19	119200-5
63.63 [2.505]	60.33 [2.375]	53.98 [2.125]	17	18	119200-4
60.45 [2.380]	57.15 [2.250]	50.80 [2.000]	16	17	119200-3
57.28 [2.255]	53.98 [2.125]	47.62 [1.875]	15	16	119200-2
54.10 [2.130]	50.80 [2.000]	44.50 [1.750]	14	15	119200-1



THIS DRAWING IS A CONTROLLED DOCUMENT. DIMENSIONS: mm [INCHES]. TOLERANCES UNLESS OTHERWISE SPECIFIED: 0 PLC ± -, 1 PLC ± -, 2 PLC ± -, 3 PLC ± 0.25 [.010], 4 PLC ± -. ANGLES ± -.

MATERIAL: HOUSING: VALOX 420; SOLDER: BLACK; CONTACTS: PHOSPHOR BRONZE; STRIP: MYLAR, CLEAR. FINISH: 1 2 3 1 1.

APVD: H. ROSE. PRODUCT SPEC: CONN. APPLICATION SPEC: A1. WEIGHT: -. SIZE: A1. CAGE CODE: 00779. DRAWING NO: 119200. RESTRICTED TO: CUSTOMER DRAWING. SCALE: 4:1. SHEET: 1 OF 1. REV: P.

TYCO Electronics Tyco Electronics Corporation Harrisburg, Pa 17105-3608. CONNECTOR, AMP PACE .125x.250.